

RFCOMPONENTS.COM.AU

## Wilkinson Combiners, 2, 3 & 4 Way

**RFWC-500-3800-XX-43**

**500 - 3800 MHz, 4.3-10 Wilkinson Combiners**

**LOW PIM SERIES** Rev 2

### ELECTRICAL SPECIFICATION

Model No.	RFWC-500-3800-02-43	RFWC-500-3800-03-43	RFWC-500-3800-04-43
Splitter	2way	3way	4way
Frequency	500-3800MHz		
Insertion loss	3dB	4.8 dB	6 dB
Return Loss	17.7 dB min		
Split loss	≤ 0.5dB	≤ 0.7 dB	≤0.7dB
Power handling	300W CW max		
IMD@2*43dBm(900, 1800, 3500)	158 dBc typ. 155dBc min(4310 female)		
Impedance	50Ω		

### MECHANICAL SPECIFICATION

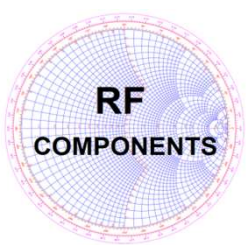
RF Connectors	4.3-10 Female for all ports per order
RF Connectors Configuration	See outline
Weight	1.0 Kg max
Dimensions	See outline
Outside finish	Powder coating
Product Configuration	Single unit
Mounting option	Screws
Mounting orientation	Any
Ground screw	N/A

### PACKAGING SPECIFICATION

Applicable standard	NEBS GR-63-CORE
---------------------	-----------------

### ENVIRONMENTAL SPECIFICATION

Operating Temperature Range	-25°C to +70°C
Storage Temperature Range	-40°C to +85°C
Relative humidity	95% max
IP Class	IP65 for indoor or outdoor



RFCOMPONENTS.COM.AU

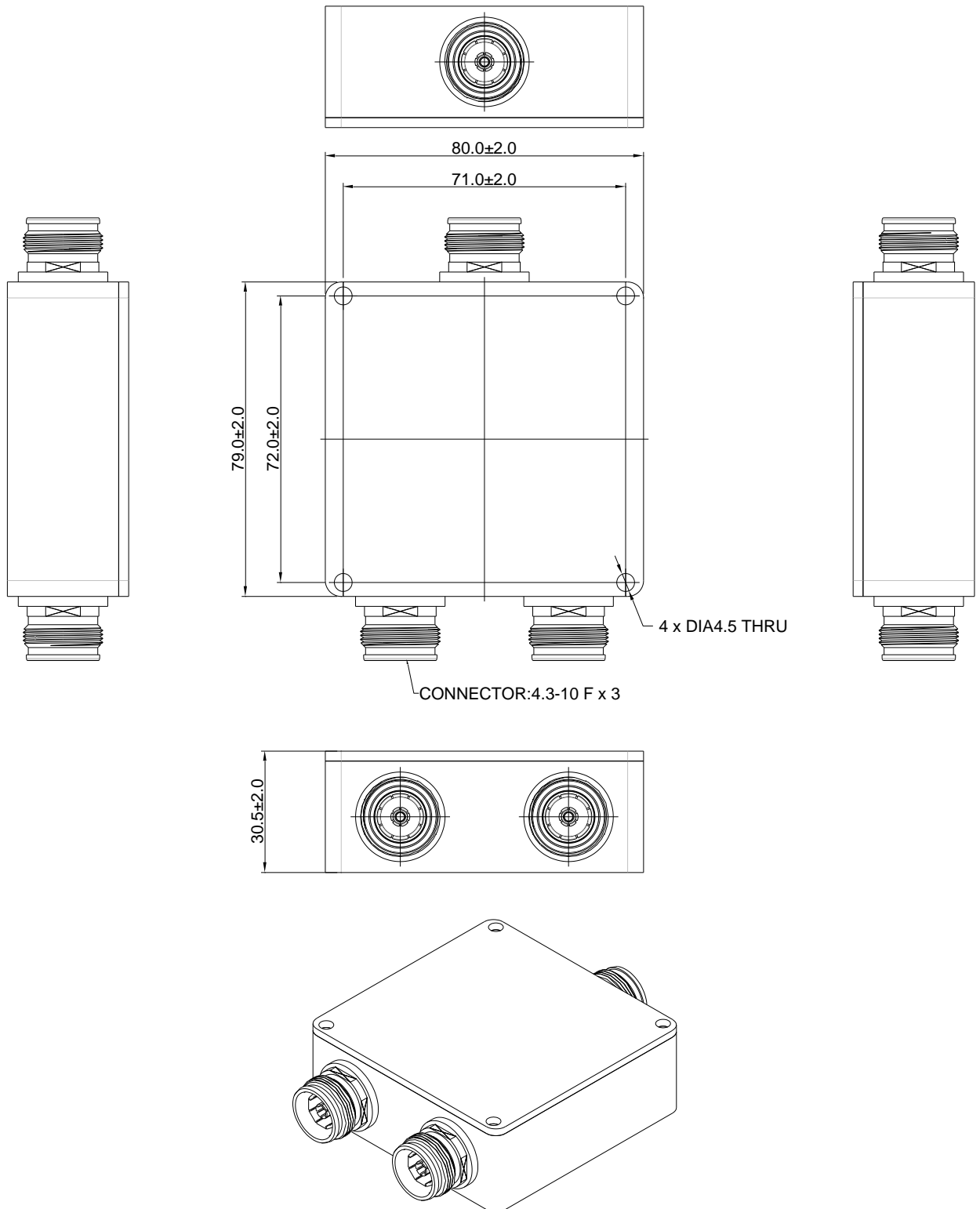
# Wilkinson Combiners, 2, 3 & 4 Way

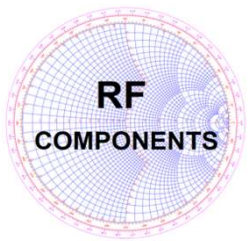
**RFWC-500-3800-XX-43**

500 - 3800 MHz, 4.3-10 Wilkinson Combiners

**LOW PIM SERIES** Rev 2

Outline for 2 Way, 4310 female





RFCOMPONENTS.COM.AU

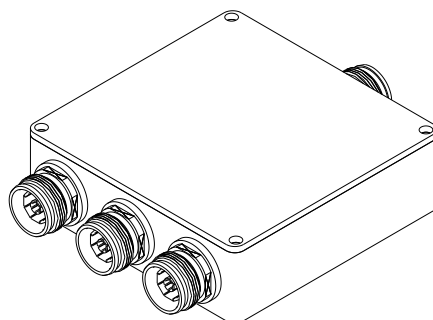
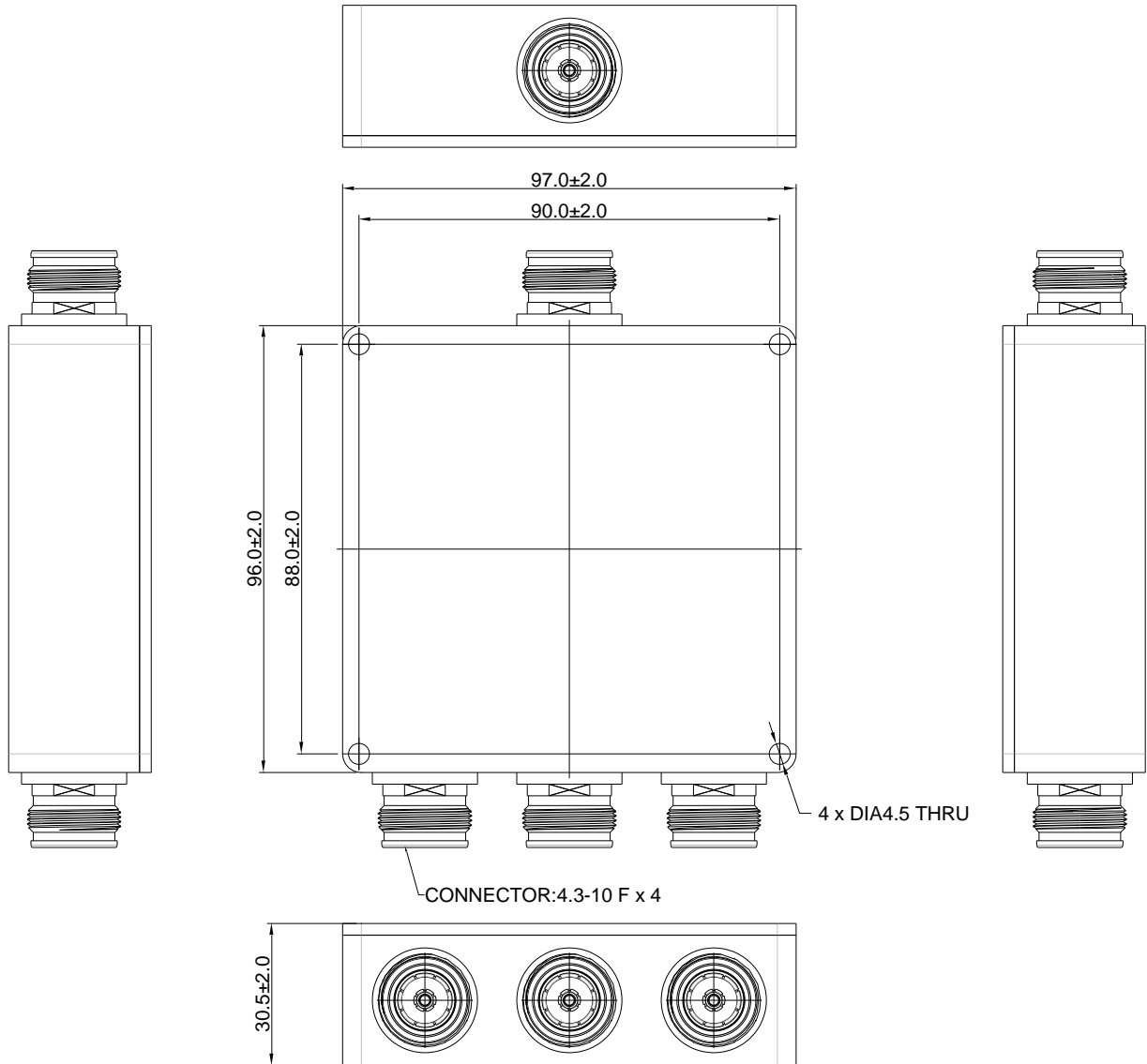
# Wilkinson Combiners, 2, 3 & 4 Way

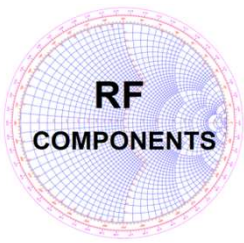
**RFWC-500-3800-XX-43**

500 - 3800 MHz, 4.3-10 Wilkinson Combiners

**LOW PIM SERIES** Rev 2

Outline for 3 Way, 4310 female





RFCOMPONENTS.COM.AU

## Wilkinson Combiners, 2, 3 & 4 Way

**RFWC-500-3800-XX-43**

500 - 3800 MHz, 4.3-10 Wilkinson Combiners

**LOW PIM SERIES** Rev 2

Outline for 4 Way, 4310 female

